



SUNRISE Fluid Power Inc.

No. 7, Road 12, Industrial Zone, Taichung City 407, Taiwan

Tel: 886-4-2359-1190

Fax: 886-4-2359-3409

sales@sunriseiw.com.tw

www.sunriseiw.com.tw

SUNRISE HYDRAULIC IRONWORKER

IW-45M

MACHINERY HOUSE

SPARE PARTS LIST

633EG110

12-2012



SUNRISE Fluid Power Inc.

No. 7, Road 12, Industrial Zone, Taichung City 407, Taiwan

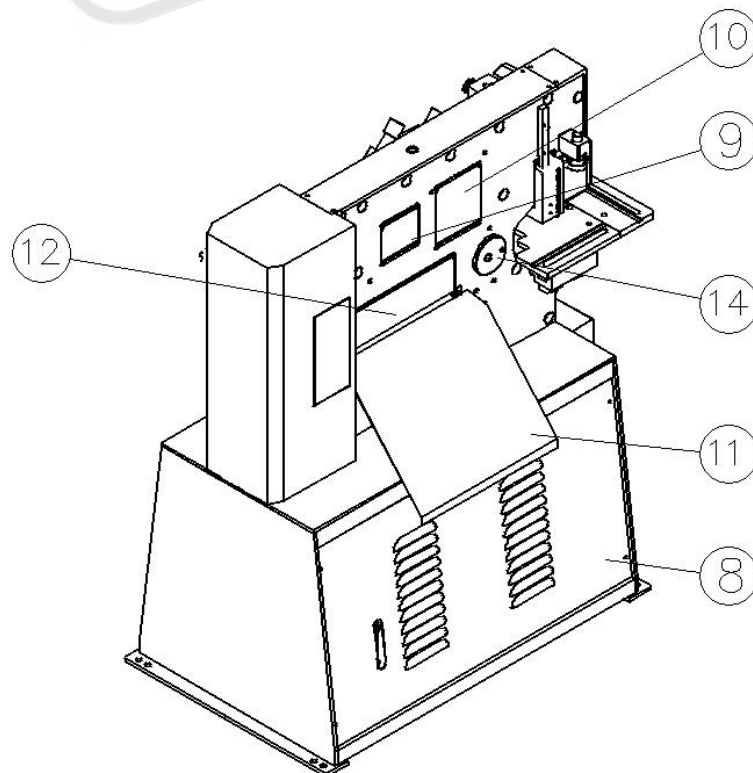
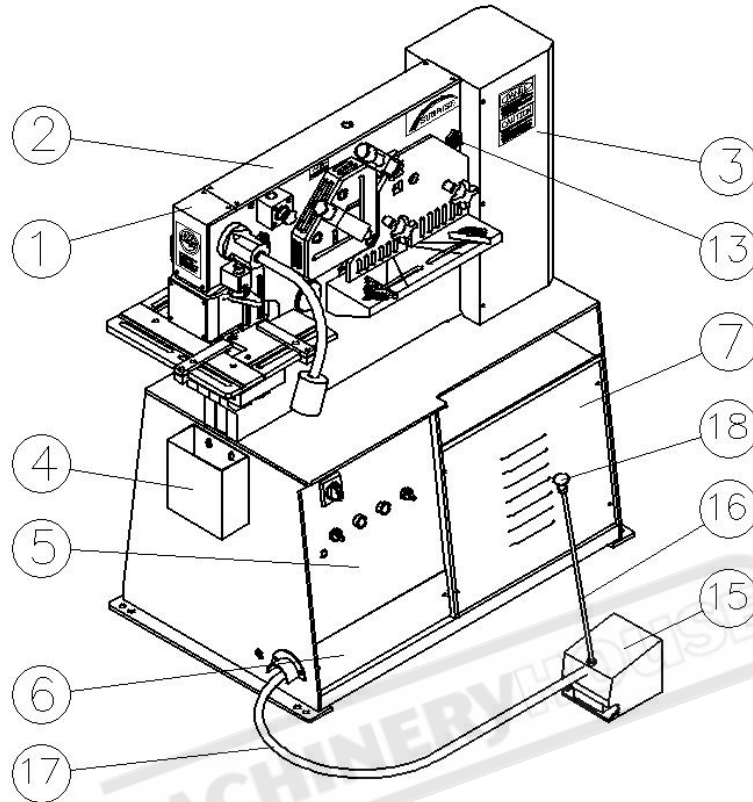
Tel: 886-4-2359-1190

Fax: 886-4-2359-3409

sales@sunriseiw.com.tw

www.sunriseiw.com.tw

IW-45M





SUNRISE Fluid Power Inc.

No. 7, Road 12, Industrial Zone, Taichung City 407, Taiwan

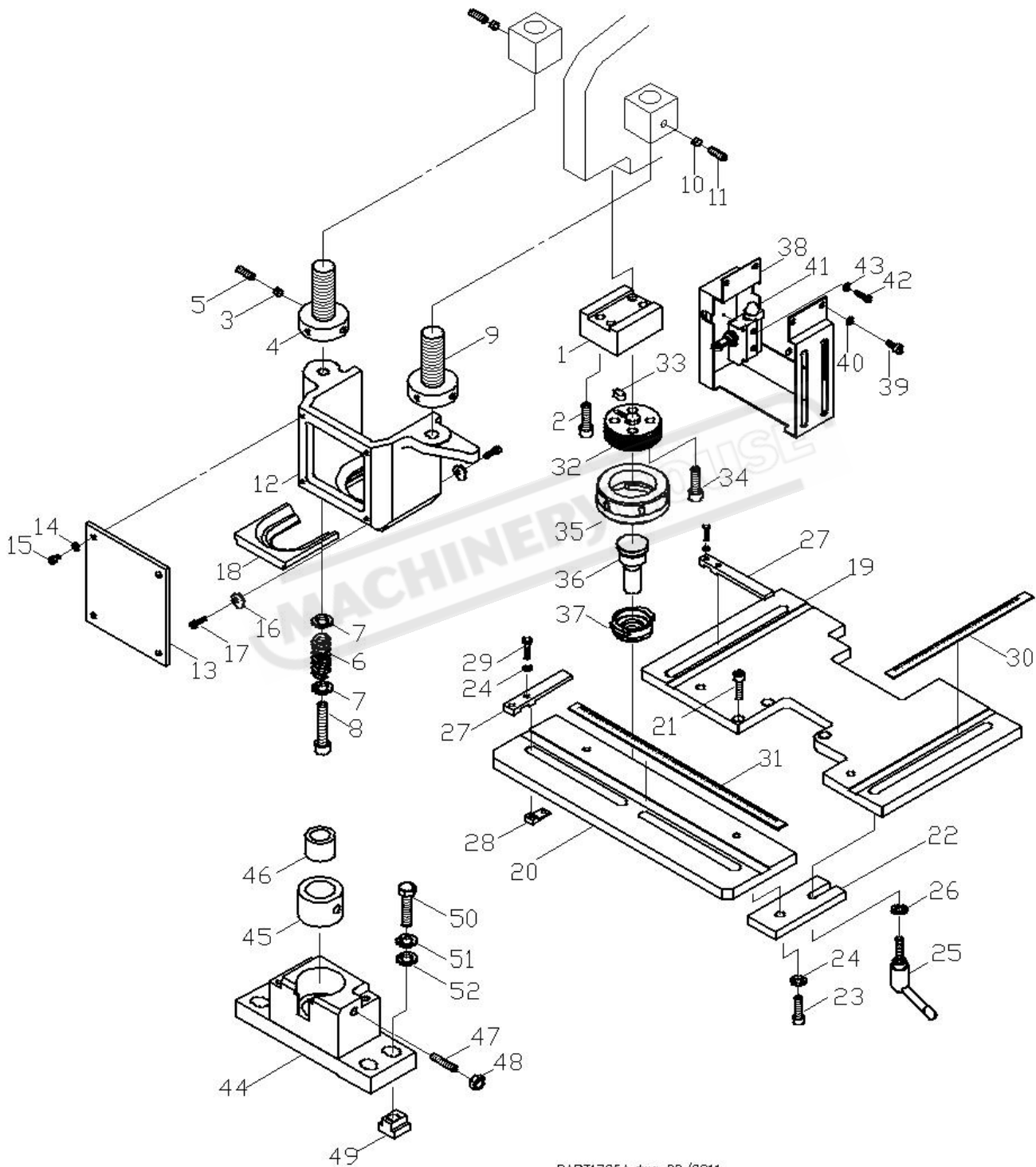
Tel: 886-4-2359-1190

Fax: 886-4-2359-3409

sales@sunriseiw.com.tw

www.sunriseiw.com.tw

Punching Station for IW-45M / 60H




SUNRISE Fluid Power Inc.

No. 7, Road 12, Industrial Zone, Taichung City 407, Taiwan

Tel: 886-4-2359-1190

Fax: 886-4-2359-3409

sales@sunriseiw.com.tw

www.sunriseiw.com.tw

Sunrise Ironworker Parts List

 Model: **IW-45M**

 Part: **Punching Station**

 Date: 02/2012

Item	Part Number	Description	產品名稱	Q'ty	Memo
1	211105003B	Retaining Thread Support	螺紋塊固定座	1	
2	HW-BTA14035	Hex Bolt M14X35	六角承窩頭螺栓	2	
3	211305090	212211009	Copper Piece	定位銅片	1
4		211305005B	Stripper Adj. Screw (2)	剝料器調整螺桿(二)	1
5		56301C0006010	Set Screw M6X10	止付內六角螺栓	1
6		211305006	Stripper Spring	沖孔剝料器彈簧	1
7		56303D00012024045	Flat Washer M12	平墊圈	2
8		56301A0012090	Hex Bolt M12X90	六角承窩頭螺栓	1
9	211305004B	Stripper Adj. Screw (1)	剝料器調整螺桿(一)	1	
10	213205010	Copper Piece	銅墊	2	
11	56301C0010012	Set Screw M10X12	止付內六角螺栓	2	
12	42STMD	42STMC003B	Stripper	沖孔剝料器	1
13		42STMC002	Stripper Clear Cover	剝料器護板	1
14		56303A00005	Spring Washer M5	彈簧墊圈	4
15		56301A0005012	Hex Bolt M5X12	六角承窩頭螺栓	4
16		42STBC004	Washer	墊片	2
17		56301I0005008	Cap Screw M5X8	半圓內六孔	2
18		42STBC003A-20 42STBC003A-42	Stripper Exchangeable Plate	剝料器底板	1
19		211605100	211605002D	Punching Table A (Main)	沖孔工作板(A)
20	211605004C		Punching Table B (Front)	沖孔工作板(B)	1
21	56301A0008016		Hex Bolt M8X16	六角承窩頭螺栓	3
22	211305009B		Table Connecting Plate	工作板連結塊	2
23	56301A0010025		Hex Bolt M10X25	六角承窩頭螺栓	2
24	56303A00010		Spring Washer M10	彈簧墊圈	6
25	56315404163M1025		Clamp Handle M10X25	萬向把手	2
26	56303B11012025		Flat Washer M10	平墊圈	2
27	211605008A		Stopper Plate	工作板定位塊	2
28	211605009A		Clamping Plate	定位板固定滑塊	2



SUNRISE Fluid Power Inc.

No. 7, Road 12, Industrial Zone, Taichung City 407, Taiwan

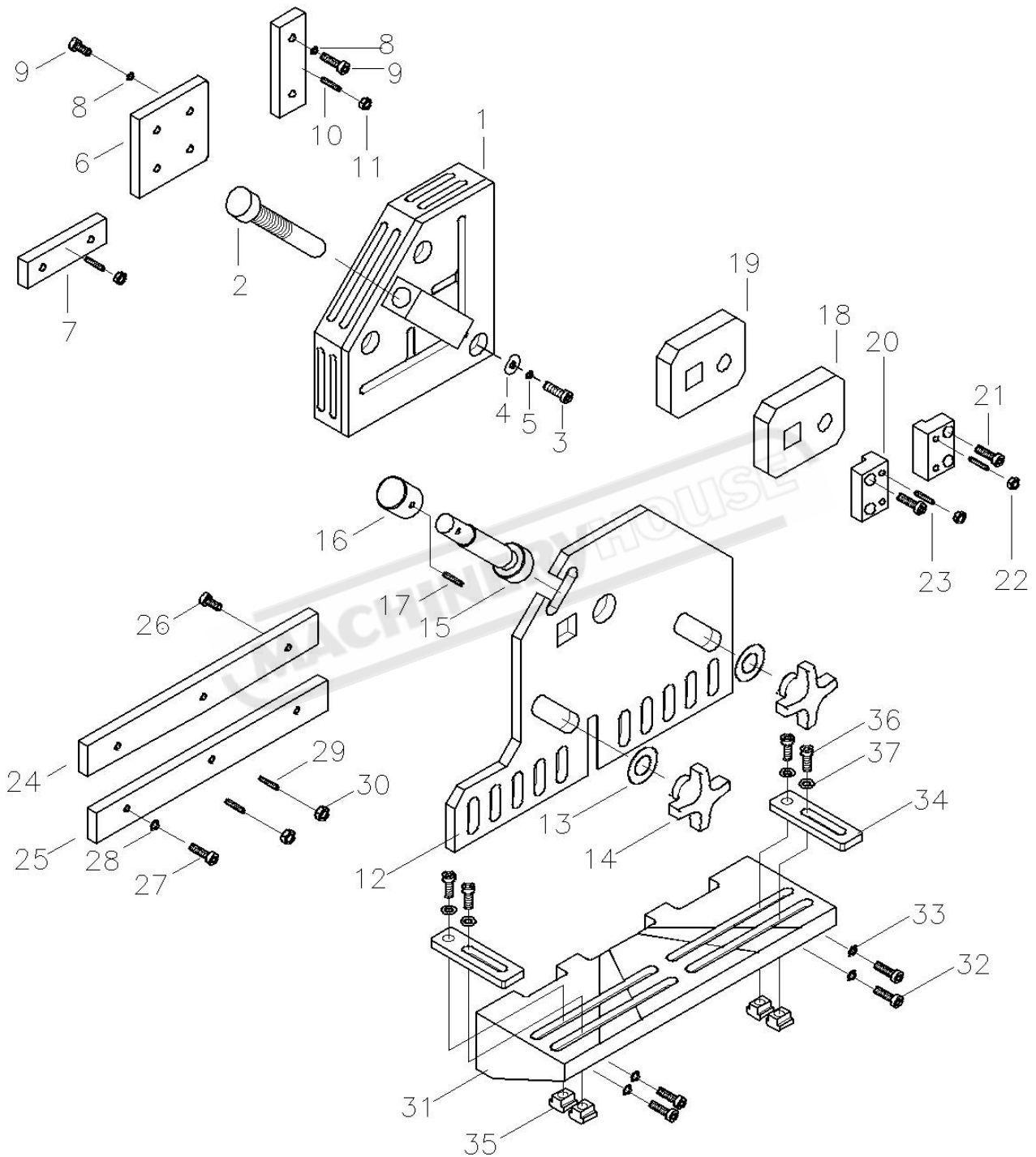
Tel: 886-4-2359-1190

Fax: 886-4-2359-3409

sales@sunriseiw.com.tw

www.sunriseiw.com.tw

Shear Stations for IW-45M




SUNRISE Fluid Power Inc.

No. 7, Road 12, Industrial Zone, Taichung City 407, Taiwan

Tel: 886-4-2359-1190

Fax: 886-4-2359-3409

sales@sunriseiw.com.tw

www.sunriseiw.com.tw

Sunrise Ironworker Parts List

 Model: **IW-45M**

 Part: **Shear Station**

 Date: 02/2012

Item	Part Number		Description	產品名稱	Q'ty	Memo
1	211707901	211707001A 211107004 211102013B	Angle Shear Holddown	角鐵剪切座	1	
2	211110007		Angle Holddown Screw	L 型鐵座壓桿	1	
3	56301A0020030		Hex Bolt M20X30	六角承窩頭螺栓	3	
4	56303B00020037040		Flat Washer M20	平墊圈	3	
5	56303A00020		Spring Washer M20	彈簧墊圈	3	
6	211807004B		Angle Shear Moving Blade	剪角鐵刀具(活動)	1	
7	211507002C		Angle Shear Stationary Blade	剪角鐵刀具(固定)	2	
8	56303A00014		Spring Washer M14	彈簧墊圈	7	
9	56301A0014040		Hex Bolt M14X40	六角承窩頭螺栓	7	
10	56301C8010025		Set Screw M10X25	止付內六角螺絲	6	
11	56302B0110		Nut M10	螺帽	6	
12	211108003C		Rd/Sq, Flat shear Holddown	方圓平板壓板	1	
13	56303B11020040		Flat Washer M16	平墊圈	2	
14	56314DIN633576		Fix Nut for Holddown	十字旋鈕(不銹鋼)	2	
15		211810006C	Shear Holddown Screw	平板, 圓方壓板調整螺桿	1	
16	211810900A	211810009	Handle for Screw	調整螺桿握把	1	
17		56301C0008006	Set Screw M8X6	止付內六角螺絲	1	
18	211109002A		Rd/Sq Shear Stationary Blade	圓方刀具(固定)	1	
19	211109001A		Rd/Sq Shear Moving Blade	圓方刀具(活動)	1	
20	211309004		Rd/Sq Shear Blade Fix Plate	圓方刀具固定塊	2	
21	56301A0012020		Hex Bolt M12X20	六角承窩頭螺栓	4	
22	56302B0110		Nut M10	螺帽	4	
23	56301C8010045		Set Screw M10X45	止付內六角螺絲	4	
24	211108002B		Flat Shear Upper Blade	平板刀具(活動)	1	
25	211108001C		Flat Shear Lower Blade	平板刀具(固定)	1	


SUNRISE Fluid Power Inc.

No. 7, Road 12, Industrial Zone, Taichung City 407, Taiwan

Tel: 886-4-2359-1190

Fax: 886-4-2359-3409

sales@sunriseiw.com.tw

www.sunriseiw.com.tw

 Model: IW-45M

 Part: Shear Station

 Date: 02/2012

Item	Part Number	Description	產品名稱	Q'ty	Memo
26	56301A0012025	Hex Bolt M12X25	六角承窩頭螺栓	3	
27	56301A0012040	Hex Bolt M12X40	六角承窩頭螺栓	3	
28	56303A00012	Spring Washer M12	彈簧墊圈	3	
29	56301C8010025	Set Screw M10X25	止付內六角螺絲	4	
30	56302B0110	Nut M10	螺帽	4	
31	211708001A	Flat shear Table	平板支持座	1	
32	56301A0012050	Hex Bolt M12X45	六角承窩頭螺栓	4	
33	56303A00012	Spring Washer M12	彈簧墊圈	4	
34	211708002	Flat Shear Stopper	平板固定塊	2	
35	211305012	T-Shaped Nut M12	T形螺帽	4	
36	56301A0012035	Hex Bolt M12X35	六角承窩頭螺栓	4	
37	56303A00012	Spring Washer M12	彈簧墊圈	4	



SUNRISE Fluid Power Inc.

No. 7, Road 12, Industrial Zone, Taichung City 407, Taiwan

Tel: 886-4-2359-1190

Fax: 886-4-2359-3409

sales@sunriseiw.com.tw

www.sunriseiw.com.tw

Standard BackGauge Assembly

